



### Features :

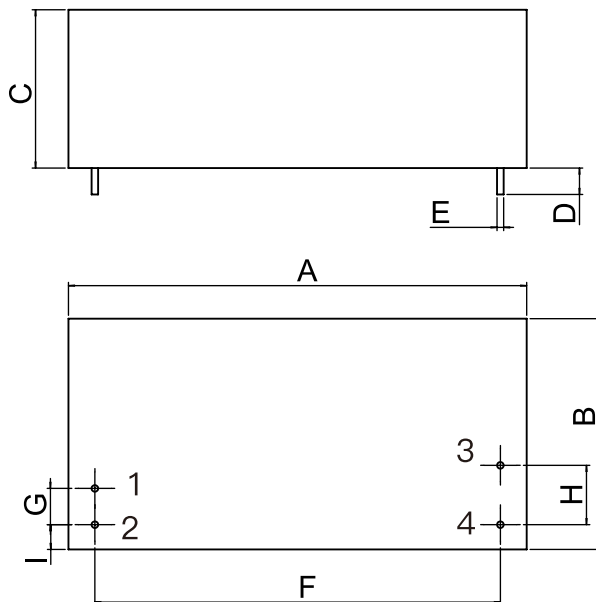
- Only 69.5 \* 35 \* 24mm in size
- High efficiency up to 90%
- Wide voltage input range:85-264 Vac,50/60Hz
- Multiple protection
- No load power consumption<<0.1W
- 3 years warranty
- 100% full load burn-in test

### Specification

MODEL		RM-30-5	RM-30-12	RM-30-15	RM-30-24	
INPUT	VOLTAGE RANGE	85- 264VAC 100~ 370VDC				
	FREQUENCY RANGE	47 ~ 440Hz				
	EFFICIENCY(Typ.)	84%	87%	89%	90%	
	AC CURRENT(Typ.)	270m A / 115VAC 130m A / 230VAC				
	INRUSH CURRENT(Typ.)	30 A / 230 VAC				
	LEAKAGE CURRENT	<0.1mA at 265VAC/50Hz				
OUTPUT	DC VOLTAGE	5.0V	12V	15V	24V	
	RATED CURRENT	6000mA	2500mA	2000mA	1250mA	
	CURRENT RANGE	0-6000mA	0~2500mA	0~2000mA	0~1250mA	
	RATED POWER	30W	30W	30W	30W	
	RIPPLE&NOISE(max.)	50mVp-p	50mVp-p	50mVp-p	50mVp-p	
	VOLTAGE TOLERANCE	±2.0%				
	LINE REGULATION	±1.0%				
	LOAD REGULATION	±1.0%				
	SETUP, RISE TIME	100ms/230VAC 200ms/115VAC at full load				
	HOLD UP TIME(Typ.)	40ms/230VAC 15ms/115VAC at full load				
PROTECTION	Protection type: Over voltage、 Short circuit 、 Over load , recovers automatically after fault condition is removed					
ENVIRONMENT	WORKING TEMP	-40 ~ +70 °C (Refer to “ Derating curve”)				
	WORKING HUMIDITY	85% .RH max				
	STORAGE TEMP.,HUMIDITY	-40 ~ +85, 10 ~ 95% RH				
	TEMP. COEFFICIENT	0.03%/ (0~ 50°C)				
	VIBRATION	10-500Hz,2G10min./1cycle, 60min.each along X,Y,Z axes				
Safety and electromagnetic compatibility	Safety standards	EN62368-1,UL62368				
	Withstand voltage	I/P-O/P:4000VAC				
	Isolation resistance	I/P-O/P: >100M Ohms/500VDC 25°C 70% RH				
	Electromagnetic compatibility emission	Parameter	Standard		Test Level / Note	
		Conducted emission	BS EN/EN55032(CISPR32),FCC PART 15 / CISPR22 CAN ICES-3(B)/NMB-3(B),CNS13438,GB17625.1EAC TP TC 020,MSIP KN32		Class B	
		Radiated emission	BS EN/EN55032(CISPR32),FCC PART 15 / CISPR22 CAN ICES-3(B)/NMB-3(B),CNS13438,GB17625.1EAC TP TC 020,MSIP KN32		Class B	
		Harmonic current	BS EN/EN61000-3-2,GB9254		Class A	
		Voltage flicker	BS EN/EN61000-3-3		----	
	Electromagnetic compatibility immunity	BS EN/EN55035				
		Parameter	Standard		Test Level /Note	
		ESD	BS EN/EN61000-4-2		Level 4, 8KV /15KV	
		RF field susceptibility	BS EN/EN61000-4-3		Level 4	
		EFT bursts	BS EN/EN61000-4-4		Level 3, 2KV	
		Surge susceptibility	BS EN/EN61000-4-5		Level 3, 1KV	
Conducted susceptibility		BS EN/EN61000-4-6		Level 4		
Magnetic field immunity		BS EN/EN61000-4-8		Level 4		
Voltage dips , interruption	BS EN/EN61000-4-11					
OTHERS	MTBF	200K hrs min. MIL-HDBK-217F(25)				
	DIMENSION	69.5*35*24mm				
	PACKING	box: 360*300*250mm,75g/pcs 7.20kg/box 112pcs/box				

<b>NOTE</b>	<p>1.The above data are measured when TA = 25 ° C, Humidity &amp; Lt. 75% , input nominal voltage 230VAC and output rated load except for special instructions;</p> <p>2.Ripple and noise is according to this manual application circuit connection, the use of 300mm twisted-pair, bandwidth of 20MHZ measured.</p> <p>3. Tolerance: includes set up tolerance, line regulation and load regulation.</p> <p>4.The power supply is considered as a component in the system, which needs to be verified with the terminal equipment.</p>
-------------	--

### Mechanical specification

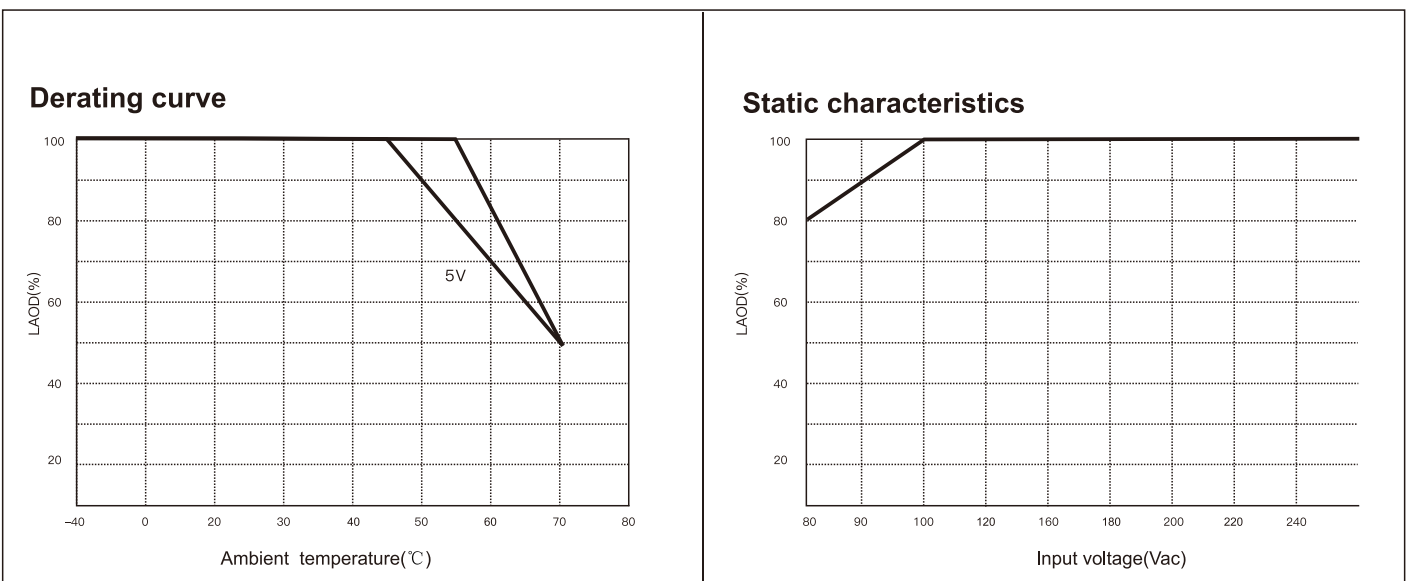


Note  
 Unit: mm;  
 Terminal length:  $\geq 4.0\text{mm}$  ;  
 Size of terminal section: 1.0mm ;  
 Terminal tolerance:  $\pm 0.1\text{mm}$  ;  
 undeclared tolerance:  $\pm 0.5\text{mm}$  ;

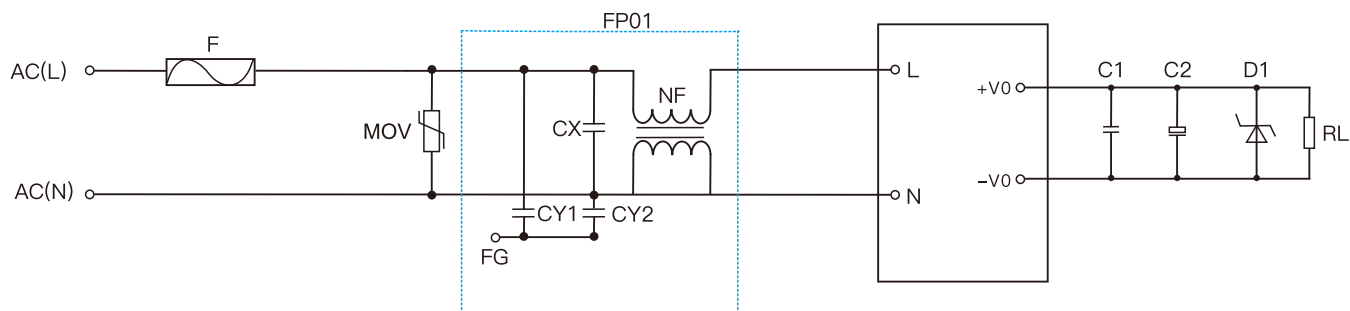
PIN NO.	Assignment
1	AC(N)
2	AC(L)
3	+VO
4	-VO

DIM	A	B	C	D	E	F	G	H	I
尺寸	69.5	35	24	$\geq 4$	1.0	61.5	5.5	9	3.75

### Derating curve



## Typical application



Note: The dotted line in the figure is to meet higher EMC requirements and access to the EMC filter, such as general applications, can be omitted.

MODEL \ COM	F (optional)	MOV (must)	Fa01 (optional)	C1	C2 (optional)	D1
RM-30-05	T3.15A/250V	MOV is piezoresistive and the recommended value is 14D471K	Filter, model FP01, dotted frame is FP01 internal schematic	104K/50V (Ceramic chip capacitor)	1000uF/16V	P6KE6.8A
RM-30-12					470uF/16V	P6KE16A
RM-30-15					220uF/25V	P6KE20A
RM-30-24					100uF/35V	P6KE30A