



### Features :

- Ultra-small volume, thickness of only 1.55cm
- Wide voltage input range:85-305Vac,100-400Vdc
- High efficiency, low ripple noise
- No load power consumption<0.05W
- 3 years warranty
- 100% full load burn-in test

### Specification

MODEL		RM-15-5	RM-15-9	RM-15-12	RM-15-15	RM-15-24	
INPUT	VOLTAGE RANGE	85~305VAC (<115VAC, Refer to " Derating curve")			100 ~ 400VDC		
	EFFICIENCY(Typ.)	85%	85%	87%	88%	88%	
	AC CURRENT(Typ.)	260m A / 115VAC 110m A / 230VAC					
	INRUSH CURRENT(Typ.)	60 A / 230 VAC					
	LEAKAGE CURRENT	<0.1mA at 265VAC/50Hz					
OUTPUT	DC VOLTAGE	5.0V	9.0V	12V	15V	24V	
	RATED CURRENT	3000mA	1660mA	1250mA	1000mA	625mA	
	CURRENT RANGE	0~3000mA	0~1660mA	0~1250mA	0~1000mA	0~625mA	
	RATED POWER	15W	15W	15W	15W	15W	
	RIPPLE&NOISE(max.)	50mVp-p	80mVp-p	80mVp-p	80mVp-p	50mVp-p	
	VOLTAGE TOLERANCE	±1.0% (±2.0% max)					
	LINE REGULATION	±1.0%					
	LOAD REGULATION	±1.0%					
	SETUP, RISE TIME	100ms/230VAC	200ms/115VAC at full load				
	HOLD UP TIME(Typ.)	40ms/230VAC	15ms/115VAC at full load				
PROTECTION	Protection type: Over voltage、 Short circuit 、 Over load , recovers automatically after fault condition is removed						
ENVIRONMENT	WORKING TEMP	-40 ~ +70 °C (Refer to " Derating curve")					
	WORKING HUMIDITY	85% .RH max					
	STORAGE TEMP.,HUMIDITY	-40 ~ +85, 10 ~ 95% RH					
	TEMP. COEFFICIENT	0.03%/ (0~ 50°C)					
	VIBRATION	10~500Hz,2G10min./1cycle, 60min.each along X,Y,Z axes					
Safety and electromagnetic compatibility	Safety standards	EN62368,IEC62368,UL62368					
	Withstand voltage	I/P-O/P:3000VAC					
	Isolation resistance	I/P-O/P: >100M Ohms/500VDC 25°C 70% RH					
	Electromagnetic compatibility emission	Parameter	Standard			Test Level / Note	
		Conducted emission	BS EN/EN55032(CISPR32),FCC PART 15 / CISPR22 CAN ICES-3(B)/NMB-3(B),CNS13438,GB17625.1EAC TP TC 020,MSIP KN32			Class B	
		Radiated emission	BS EN/EN55032(CISPR32),FCC PART 15 / CISPR22 CAN ICES-3(B)/NMB-3(B),CNS13438,GB17625.1EAC TP TC 020,MSIP KN32			Class B	
		Harmonic current	BS EN/EN61500-3-2,GB9254			Class A	
		Voltage flicker	BS EN/EN61500-3-3			---	
	Electromagnetic compatibility immunity	BS EN/EN55035					
		Parameter	Standard			Test Level /Note	
		ESD	BS EN/EN61500-4-2			Level 4, 8KV /15KV	
		RF field susceptibility	BS EN/EN61500-4-3			Level 4	
		EFT bursts	BS EN/EN61500-4-4			Level 3, 2KV	
Surge susceptibility		BS EN/EN61500-4-5			Level 3, 1KV		
Conducted susceptibility		BS EN/EN61500-4-6			Level 4		
Magnetic field immunity		BS EN/EN61500-4-8			Level 4		
Voltage dips , interruption	BS EN/EN61500-4-11						
OTHERS	MTBF	200K hrs min. MIL-HDBK-217F(25)					
	DIMENSION	51.0*25.50*15.50mm					
	PACKING	10pcs/tubes 58 tubes/box box: 360*300*250mm,30g/pcs 350g/tubes 19.45kg/box					

<b>NOTE</b>	<p>1.The above data are measured when TA = 25 ° C, Humidity &amp; Lt. 75% , input nominal voltage 230VAC and output rated load except for special instructions</p> <p>2.Ripple and noise is according to this manual application circuit connection, the use of 300mm twisted-pair, bandwidth of 20MHZ measured.</p> <p>3. Tolerance: includes set up tolerance, line regulation and load regulation.</p> <p>4.The power supply is considered as a component in the system, which needs to be verified with the terminal equipment.</p>
-------------	---

### Mechanical specification

Note

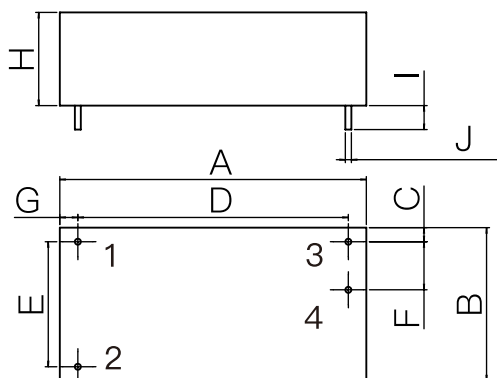
Unit: mm ;

Terminal length:  $\geq 4.0\text{mm}$  ;

Size of terminal section: 1.0mm ;

Terminal tolerance:  $\pm 0.1\text{mm}$  ;

undeclared tolerance:  $\pm 0.5\text{mm}$  ;

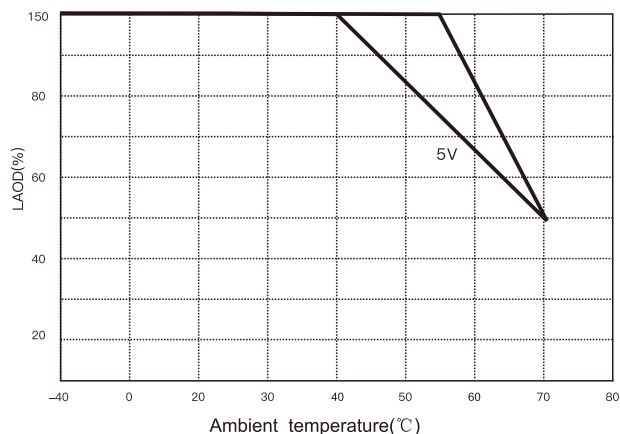


PIN NO.	Assignment
1	AC
2	AC
3	-VO
4	+VO

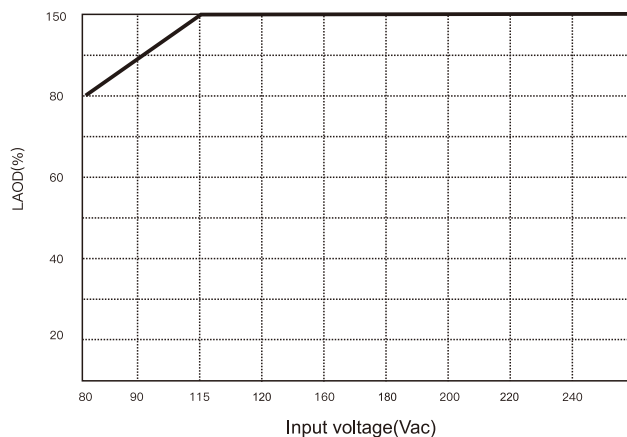
DIM	A	B	C	D	E	F	G	H	I	J
尺寸	51	25.5	2.35	45	20.8	8.0	3	15.5	$\geq 4$	1

### Derating curve

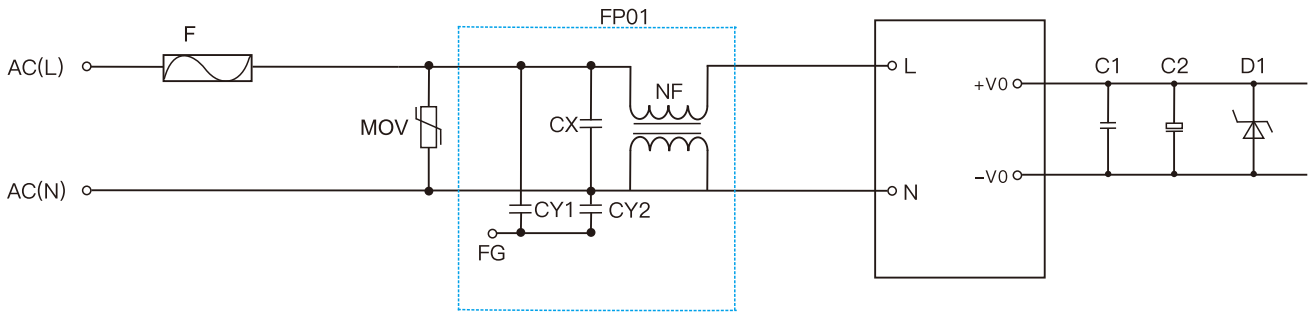
Derating curve



Static characteristics



**Typical application**



Note:

In the dotted box in Figure 2 are the EMC filters that are plugged in to meet higher EMC requirements and can be dispensed with for general applications.

MODEL \ COM	F	MOV (must)	Fp01 (optional)	C1 (optional)	C2 (optional)	D1 (optional)
RM-15-05	T2A/250V	MOV is piezoresistive and the recommended value is 14D471K	Filter, model FP01, dotted frame is FP01 internal schematic	104K/50V (Ceramic chip capacitor)	470uF/16V	P6KE6.8A
RM-15-09					470uF/16V	P6KE16A
RM-15-12					330uF/16V	P6KE16A
RM-15-15					220uF/25V	P6KE20A
RM-15-24					150uF/35V	P6KE33A