



Features:

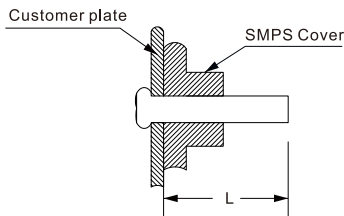
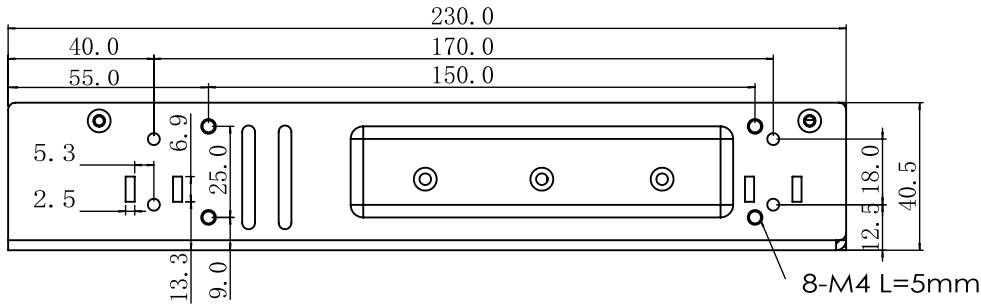
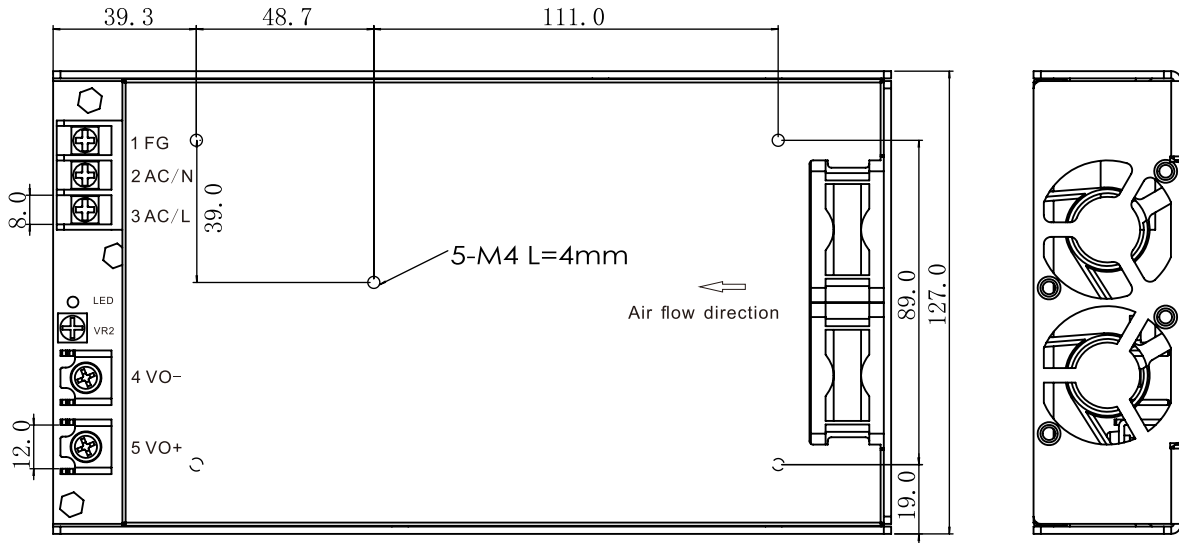
- AC input 180~264VAC
- Withstand 300VAC surge input for 5 second
- Protections: Short circuit / Overload / Over voltage/ Over temperature
- Built-in cooling Fan ON-OFF control
- 1U low profile 40.5mm
- Forced air cooling by built-in DC fan
- 100% full load burn-in test
- LED indicator for power on
- High reliability
- 3 years warranty

Specification

MODEL		LS-1000-24	LS-1000-36	LS-1000-48
INPUT	VOLTAGE RANGE	180~264VAC 240~370Vdc(refer to 'static characteristic')		
	FREQUENCY RANGE	47~63Hz		
	EFFICIENCY(Typ.)	89.5%	90%	91%
	AC CURRENT(Typ.)	11A/230VAC		
	INRUSH CURRENT(Typ.)	20A/230VAC (cold start)		
	LEAKAGE CURRENT	<2mA/240VAC		
OUTPUT	DC VOLTAGE	24V	36V	48V
	RATED CURRENT	41.6A	27.7A	20.8A
	CURRENT RANGE	0~41.6A	0~27.7A	0~20.8A
	RATED POWER	998.4W	997.2W	998.4W
	RIPPLE&NOISE (max.)	240mVp-p	300mVp-p	360mVp-p
	VOLTAGE ADJ.RANGE	22.8~26.4V	34.2~39.6V	45.6~52.8V
	VOLTAGE TOLERANCE	±1%	±1%	±1%
	LINE REGULATION	±0.5%	±0.5%	±0.5%
	LOAD REGULATION	±1%	±1%	±0.5%
	SETUP, RISE TIME	1500ms,150ms/230VAC		
	HOLD UP TIME(Typ.)	14ms/230VAC		
PROTECTION	OVER LOAD	105%~140% rated output power Protection type: constant current>3S, shutdown, recovers automatically after repower on		
	OVER VOLTAGE	27.6~36V	42~54V	56.6~66.2V
		Protection type: Shutdown, recovers automatically after repower on		
	OVER TEMPERATURE	Protection type: Shutdown, recovers automatically after temperature goes down		
FUNCTION	FAN ON/OFF CONTROL(Typ.)	RTH2≥50°C FAN ON, ≤40°C FAN OFF		
ENVIRONMENT	WORKING TEMP., HUMIDITY	-20~+70°C (Refer to "Derating curve") , 20~90%RH non-condensing		
	STORAGE TEMP., HUMIDITY	-40~+85°C, 10~95%RH		
	TEMP. COEFFICIENT	±0.03%/°C (0~50°C)		
	VIBRATION	10~500Hz, 2G 10min./1 cycle, each along X、Y、Z axes		

Safety and electromagnetic compatibility	Safety standards	Refer to UL62368-1,TUV EN62368-1,CCC GB4943.1		
	Withstand voltage and isolation resistance	I/P-O/P: 3KVac; 100MΩ / 500Vdc / 25°C / 70%RH		
		I/P-FG: 2KVac; 100MΩ / 500Vdc / 25°C / 70%RH		
		O/P-FG: 0.5KVac; 100MΩ / 500Vdc / 25°C / 70%RH		
	Electromagnetic	Parameter	Standard	Test Level / Note
		Conducted emission	BS EN/EN55032(CISPR32),FCC PART 15 / CISPR22 ,GB9254.1	Class A
		Radiated emission	BS EN/EN55032(CISPR32),FCC PART 15 / CISPR22 ,GB9254.1	Class A
		Harmonic current	BS EN/EN61000-3-2,GB17625.1	Dos not meet
		Voltage flicker	BS EN/EN61000-3-3	----
	Electromagnetic compatibility immunity	BS EN/EN55035		
		Parameter	Standard	Test Level /Note
		ESD	BS EN/EN61000-4-2	Level 4, 8KV air, Level 2, 4KV contact, criteria A
		RF field susceptibility	BS EN/EN61000-4-3	Level 3, criteria A
EFT bursts		BS EN/EN61000-4-4	Level 3, criteria A	
Surge susceptibility		BS EN/EN61000-4-5	Level 3, 1KV/L-N, 2KV/L/N-FG criteria A	
Conducted susceptibility		BS EN/EN61000-4-6	Level 3, criteria A	
Magnetic field immunity		BS EN/EN61000-4-8	Level 4, criteria A	
Voltage dips and interruptions	BS EN/EN61000-4-11	>95% dip 0.5 periods, 30% dip 25 periods , >95% interruptions 250 periods		
OTHERS	MTBF	≥200Khrs MIL-HDBK-217F(25°C)		
	DIMENSION	230*127*40.5mm(L*W*H)		
	PACKING	1.3Kg; 9pcs/12.7Kg/0.66CUFT		
NOTE	<ol style="list-style-type: none"> All parameters NOT specially mentioned are measured at 230VAC input, rated load and 25°C of ambient temperature. Ripple & noise are measured at 20MHz of bandwidth by using a 12" twisted pair-wire terminated with a 0.1uF & 47uF parallel capacitor. Tolerance: includes set up tolerance, line regulation and load regulation. Line regulation is measured from low line to high line at rated load. Load regulation is measured from 0% to 100% rated load Length of set up time is measured at cold first start, Turning ON/OFF the power supply very quickly may lead to increase of the set up time. The ambient temperature derating of 5°C/1000m is needed for operating altitude great than 2000m(6500ft). The power supply is considered a component which will be installed into a final equipment. All the EMC tests are been executed by mounting the unit on a 360mm*360mm metal plate with 1mm of thickness. The final equipment must be re-confirmed that it still meets EMC directives. 			

Mechanical specification



NOTE:
Unit: mm
ADJ: Output adjustable resistor
Torque: M3.5, 0.8N · m Max
TOL: ±1.00

Pin No.	Assignment
1	FG
2	AC/N
3	AC/L
4	DC output -V
5	DC output +V

Block diagram

